

Generic Form 15—Compliance certificate for building design or specification

NOTE: This is to be used for the purposes of section 10 of the *Building Act 1975* and/or section 46 of the *Building Regulation 2006*.
RESTRICTION: A building certifier (class B) can only give a compliance certificate about whether building work complies with the BCA or a provision of the Queensland Development Code (QDC). A building certifier (Class B) can not give a certificate regarding QDC boundary clearance and site cover provisions.

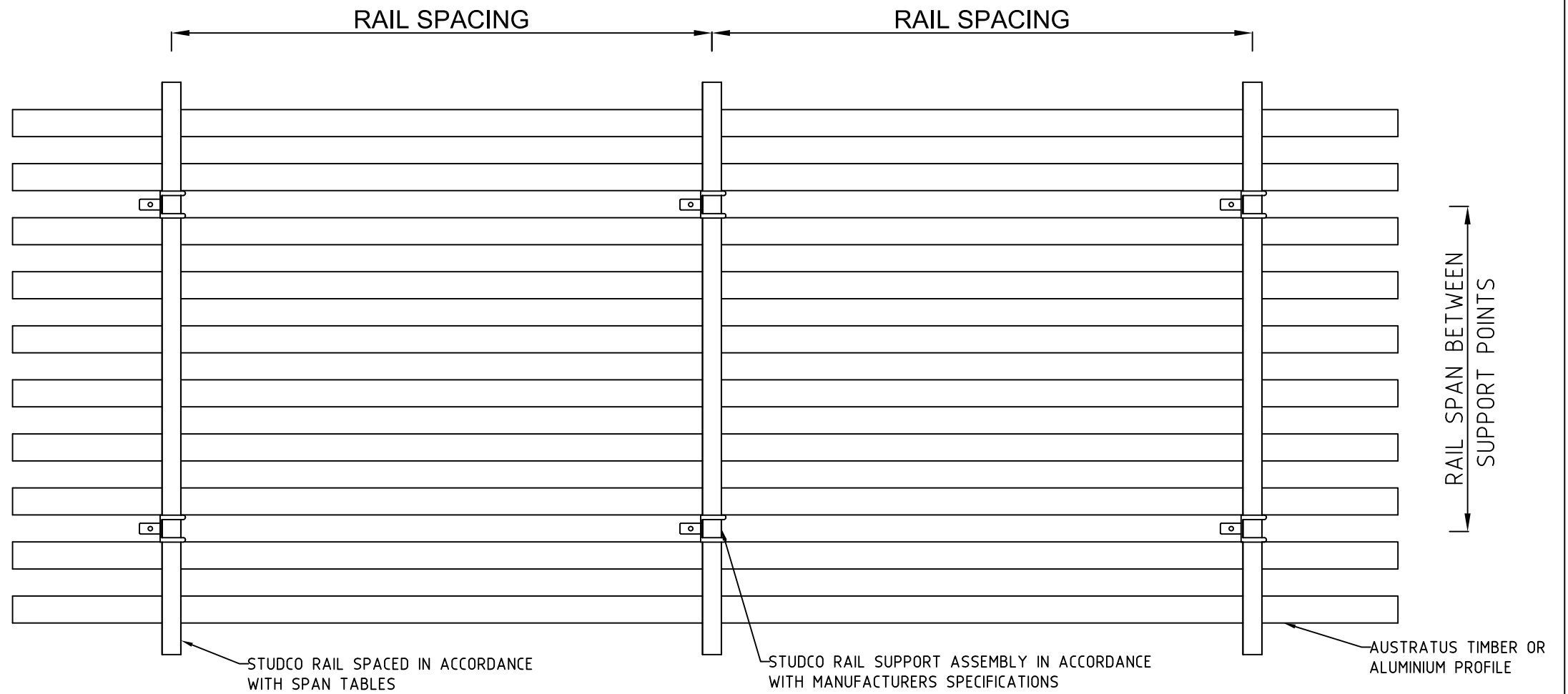
<p>1. Property description</p> <p>This section need only be completed if details of street address and property description are applicable.</p>	<p>Street address (include no., street, suburb/locality and postcode)</p> <p>XX</p> <p>Lot and plan details (attach list if necessary)</p> <p>XX</p> <p>In which local government area is the land situated?</p> <p>XX</p>
<p>2. Description of component/s certified</p>	<p>Summermore Pty Ltd confirm that we have designed the Austratus Plastic Ceiling Suspension Clips and Aluminium Rail System as detailed on the attached drawings and that it complies with the following provisions of the Regulations:</p>
<p>3. Basis of certification</p>	<p>AS/NZS1170.0:2002 Structural Design Actions – General Principles AS/NZS1170.1:2002 Structural Design Actions – Permanent, Imposed & Other Actions AS/NZS 1664.1:1997 Aluminium Structures – Limit State Design AS/NZS 1664.2:1997 Aluminium Structures – Allowable Stress Design AS 1720.1:2010 Timber Structures – Design Methods</p>
<p>4. Reference documentation</p>	<p>Drawing Set 17-13783-S01—S03 (3 Pages)</p>
<p>5. Building certifier reference number</p>	<p>Building certifier reference number</p> <p></p>
<p>6. Competent person details</p>	<p>Name (in full)</p> <p>Ronald Albert BELL</p> <p>Company name (if applicable) Contact person</p> <p>Summermore Pty Ltd Ronald Bell</p> <p>Phone no. (business hours) Mobile no. Fax no.</p> <p>07 3800 0973 0438 288 116 07 3800 1860</p> <p>Email address</p> <p>ron@summermore.com.au</p> <p>Postal address</p> <p>PO Box 1671, Browns Plains BC, Queensland, 4118.</p> <p>Licence or registration number (if applicable)</p> <p>RPEQ 6715</p>
<p>7. Signature of competent person</p>	<p>Signature Date</p> <div style="display: flex; justify-content: space-between;"> <div style="border: 1px solid black; padding: 5px;"> <p style="text-align: center;">Ronald A. Bell Registered Professional Engineer Grad Cert (Tech Mgt), BEng Civil (Hons), PEng, MIEAust (891940), MIPENZ (1027605) 5SEP2017</p> <p>Signed..... RPEQ (6715), RBPNT (60596ES), RBP(Vic) (EC27967), RBP(Tas)(CC5556), MAIB (9225), JPCQual.</p> <p style="text-align: center;">STRUCTURAL DETAILS CONCURRED</p> </div> <div style="border: 1px solid black; padding: 5px;"> <p>Tuesday, September 5, 2017</p> </div> </div>

LOCAL GOVERNMENT USE ONLY

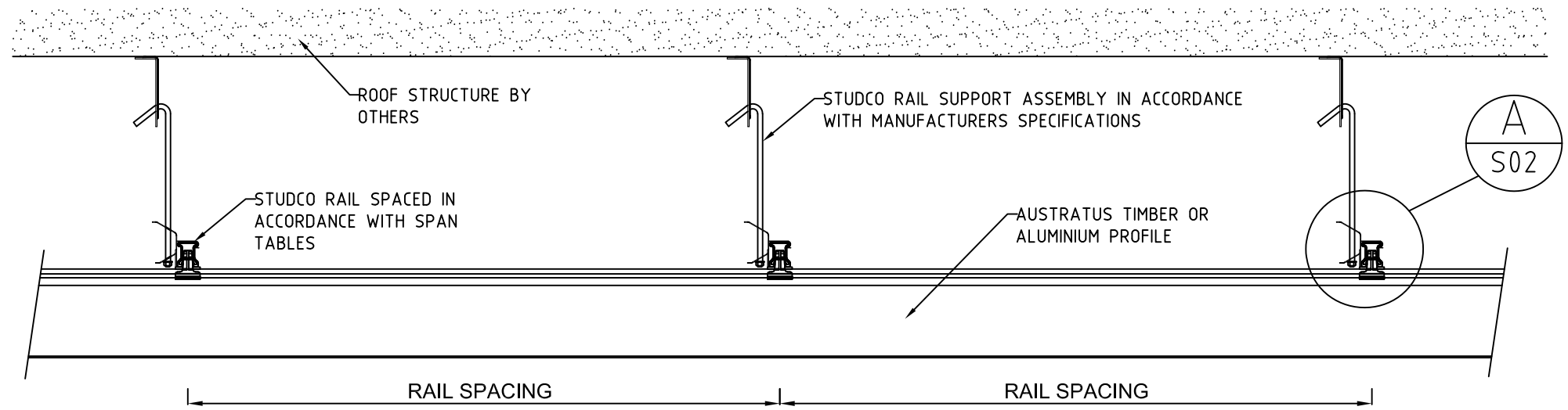
Date received		Reference Number/s	
----------------------	--	---------------------------	--

STUDCO RAIL SPAN TABLE		
CEILING WEIGHT (kg/m ²)	RAIL SPACING (mm)	MAXIMUM RAIL SPAN (mm)
8	600	2130
	900	1860
	1200	1690
10	600	1970
	900	1720
	1200	1560
12	600	1860
	900	1620
	1200	1470
14	600	1760
	900	1540
	1200	1400
16	600	1690
	900	1470
	1200	1340
18	600	1620
	900	1420
	1200	1290
20	600	1560
	900	1370
	1200	1240
24	600	1470
	900	1290
	1200	1170
28	600	1400
	900	1220
	1200	1110
32	600	1340
	900	1170
	1200	1060
36	600	1290
	900	1120
	1200	1020
40	600	1240
	900	1080
	1200	980

AUS-STRATUS PROFILE SPACING DEPENDENT ON PROFILE AND SPACING STRIPS USED



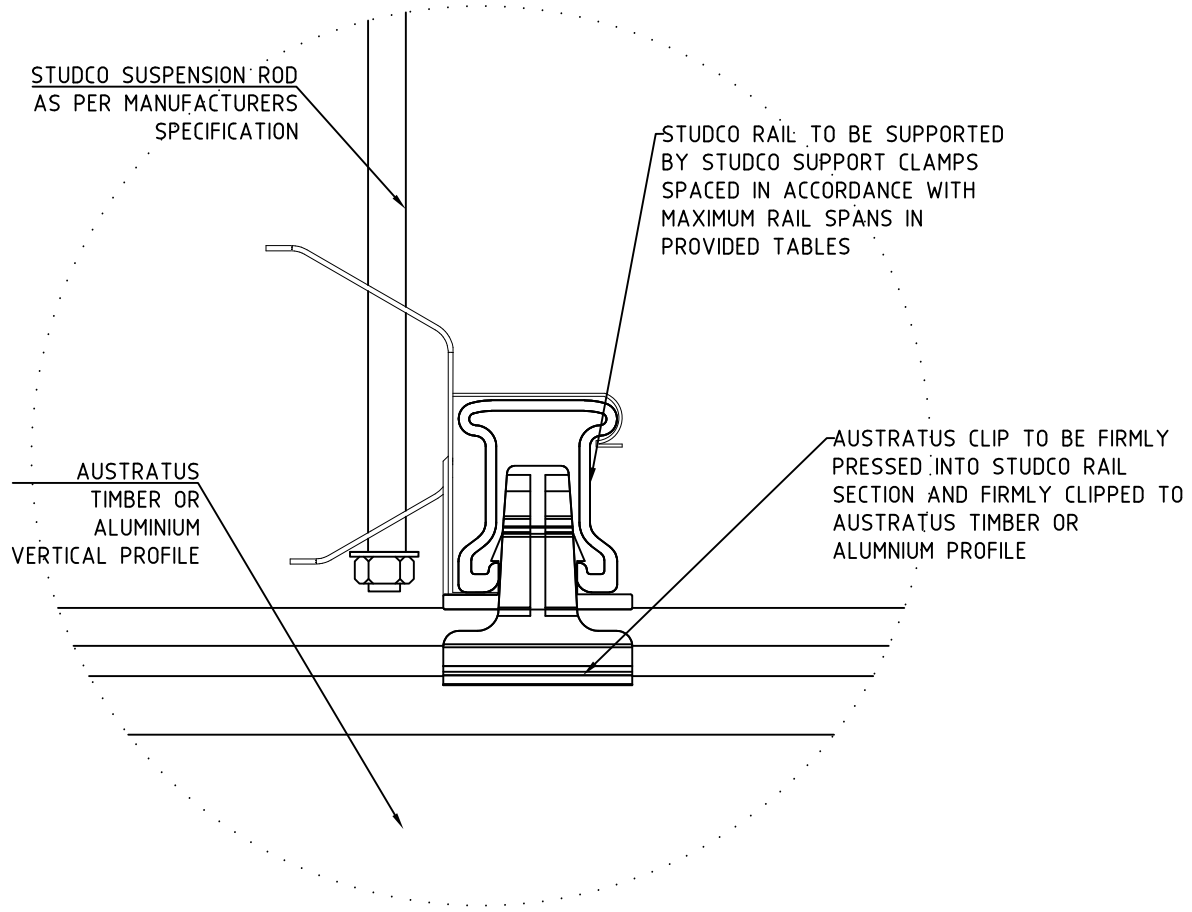
TOP VIEW - TYPICAL SYSTEM LAYOUT
N.T.S (VERTICAL PROFILE SYSTEM SHOWN)



FRONT ELEVATION - TYPICAL SYSTEM
N.T.S (VERTICAL PROFILE SYSTEM SHOWN)

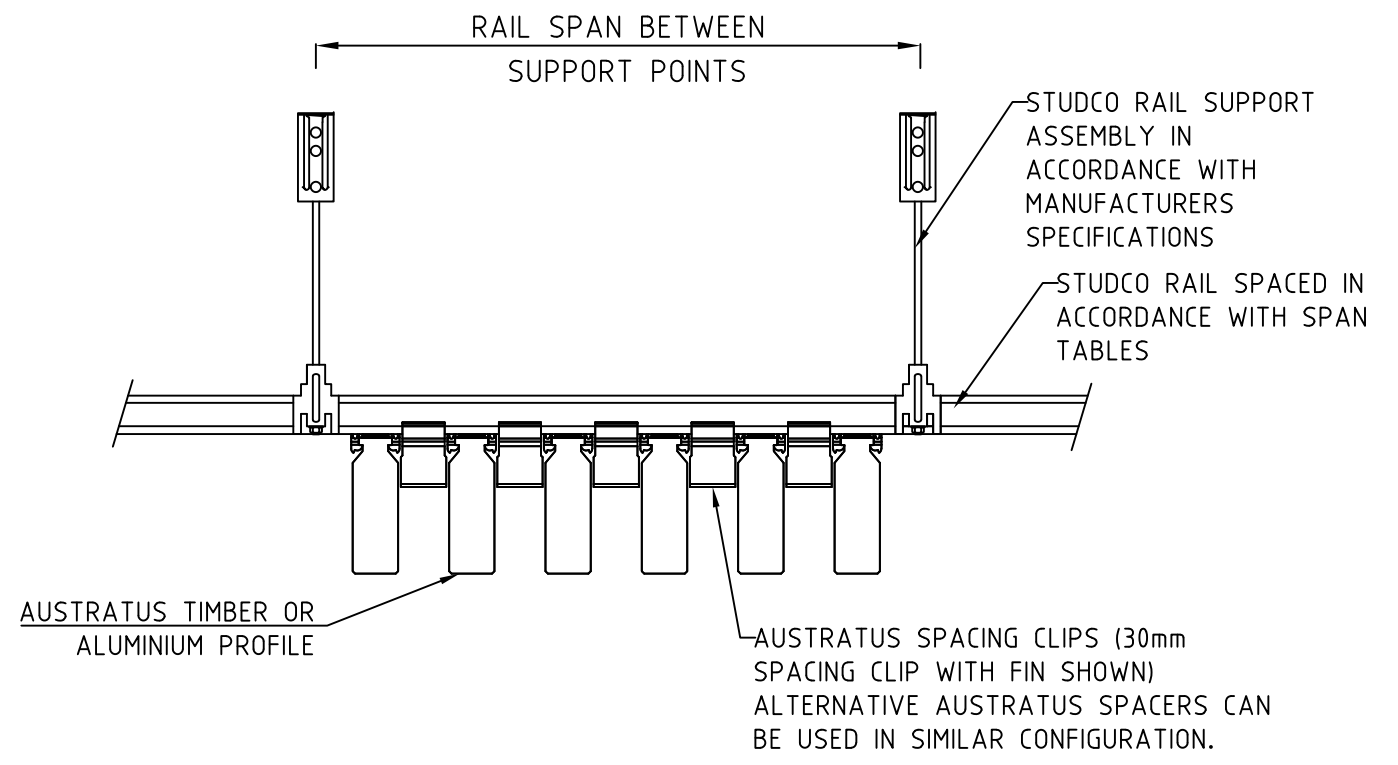
AUSTRATUS PLASTIC CEILING CLIP CAPACITIES		
SUBSTRATE	DESIGN LOAD PER CLIP (N)	DESIGN WEIGHT PER CLIP (kg)
CEDAR FLAT SUBSTRATE	129	13.1
HEMLOCK FLAT SUBSTRATE	126	12.9
CEDAR FIN SUBSTRATE	103	10.5
HEMLOCK FIN SUBSTRATE	172	17.5

DRAWING REVISIONS				REFERENCE DRAWINGS				SIGNED APPROVAL				Summermore Pty Ltd		CLIENT		PROJECT	
REV	DESCRIPTION	BY	DATE	DRAWING NAME	TITLE	APPROVED	05SEP2017	CONSULTING ENGINEERS	ACN: 108 898 433	ABN: 42 108 898 433	Austratus		Austratus System				
-	CLIENT APPROVED DRAWINGS	KJP	SEP2017			RPEQ	6715	PO Box 1671	Browns Plains BC, QLD, 4118		150 Toongarra Rd,		Typical System Layout				
						REVIEWED		Phone: 07 3800 0973			Ipswich		DRAWING NUMBER				
						DESIGNED	RAB	Fax: 07 3800 1860			QLD, 4305		17-13783-S01				
						DRAWN	KJP						REV				
						SCALE	AS SHOWN						-				
						ORIGINAL DRAWING SIZE at A3											

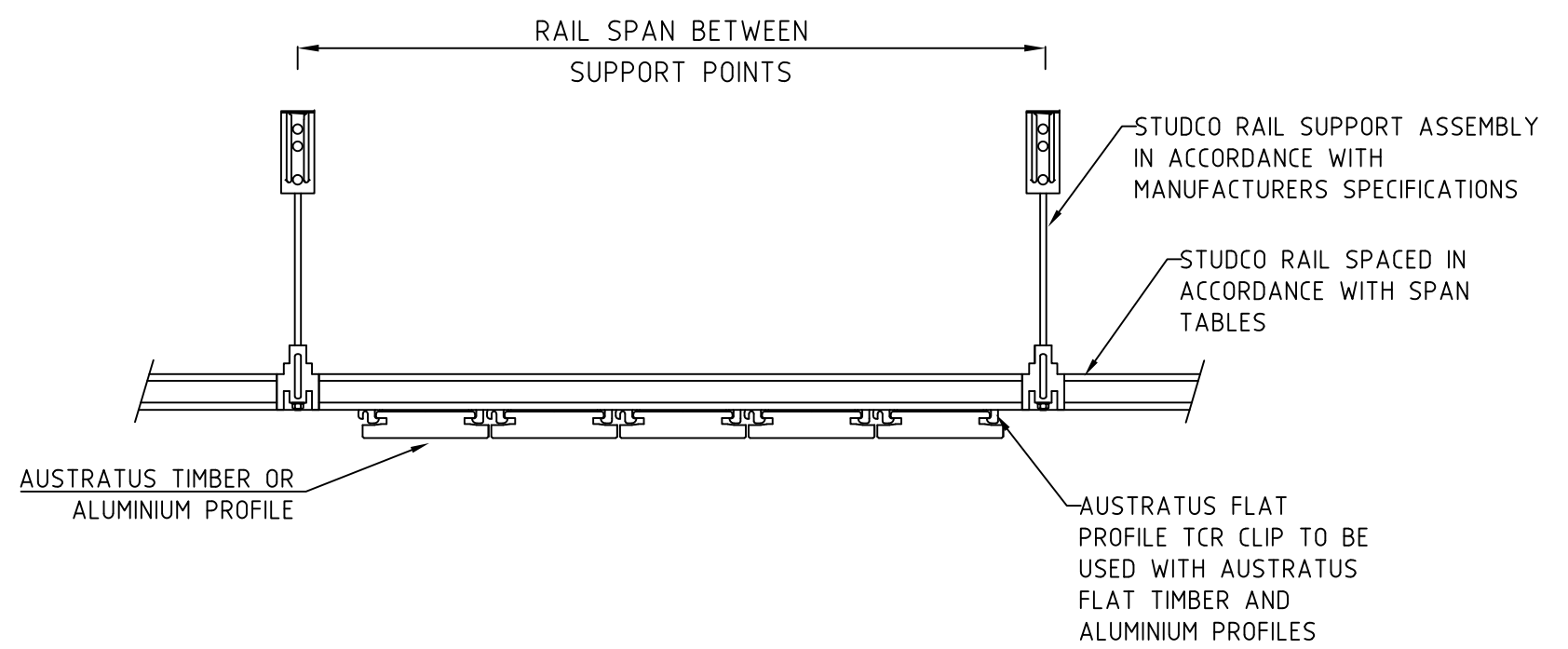


DETAIL
N.T.S

A
S01

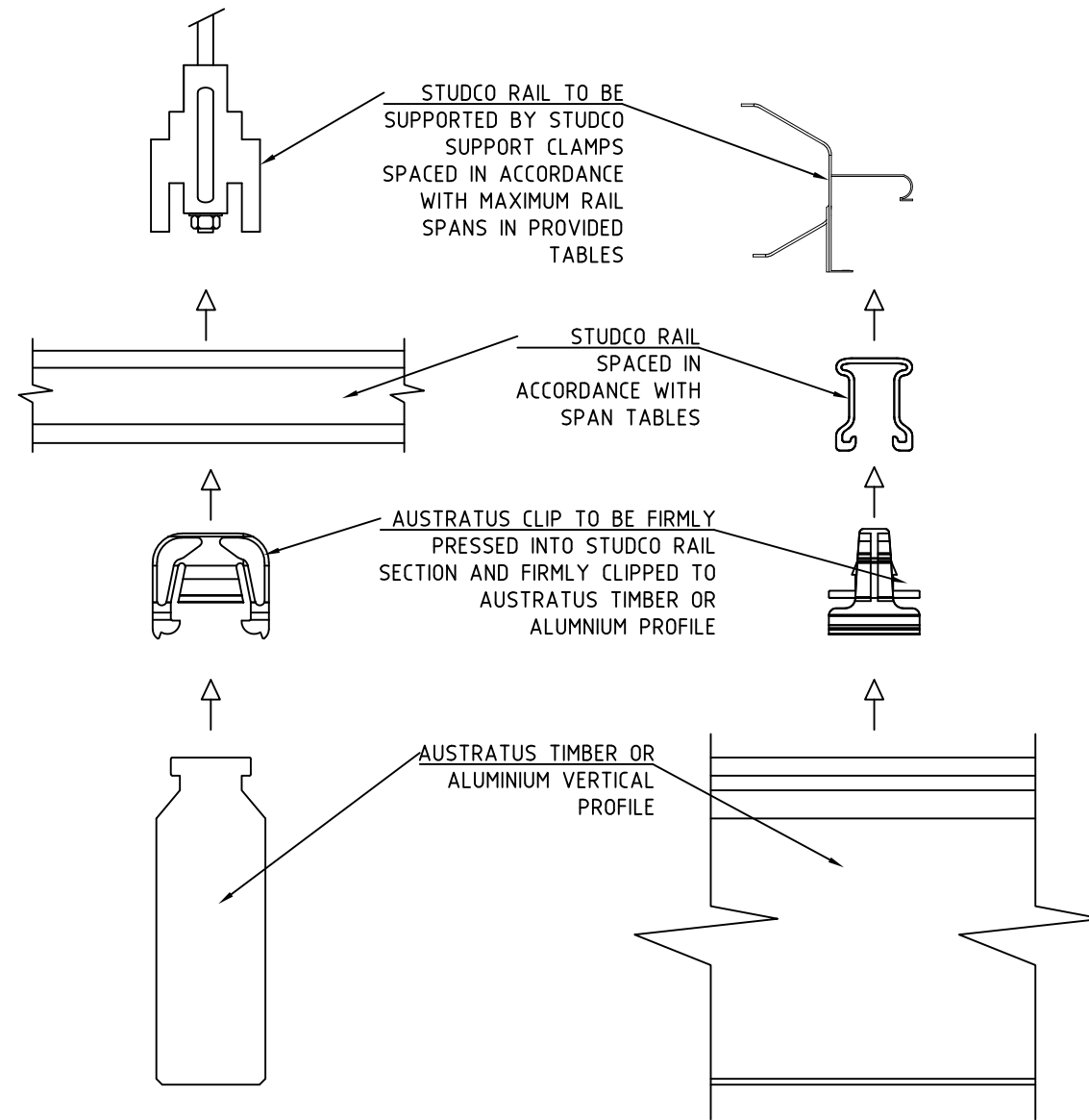


SIDE ELEVATION - TYPICAL SYSTEM
N.T.S (VERTICAL PROFILE SYSTEM SHOWN)



SIDE ELEVATION - TYPICAL SYSTEM
N.T.S (HORIZONTAL PROFILE SYSTEM SHOWN)

DRAWING REVISIONS				REFERENCE DRAWINGS		SIGNED APPROVAL		Summermore Pty Ltd		CLIENT		PROJECT	
REV	DESCRIPTION	BY	DATE	DRAWING NAME	TITLE	APPROVED	05SEP2017	Consulting Engineers	Austratus	150 Toongarra Rd, Ipswich QLD, 4305		Austratus System	
-	CLIENT APPROVED DRAWINGS	KJP	SEP2017			RPEQ	6715	ACN: 108 898 433 ABN: 42 108 898 433 ron@summermore.com.au www.summermore.com.au				Typical Elevations & Detail	
						REVIEWED		PO Box 1671 Browns Plains BC, QLD, 4118 Phone: 07 3800 0973 Fax: 07 3800 1860				DRAWING NUMBER	REV
						DESIGNED	RAB	AUG2017				17-13783-S02	-
						DRAWN	KJP	AUG2017					
						SCALE	AS SHOWN						
								ORIGINAL DRAWING SIZE at A3					



TYPICAL ASSEMBLY DIAGRAM

N.T.S (VERTICAL PROFILE SYSTEM SHOWN)

DRAWING REVISIONS				REFERENCE DRAWINGS		COPYRIGHT		SIGNED APPROVAL		Summermore Pty Ltd		CLIENT		PROJECT	
						THESE DESIGNS, PLANS AND INFORMATION ARE COPYRIGHT AND ARE NOT TO BE USED OR REPRODUCED WHOLLY OR IN PART OR TO BE USED ON ANY PROJECT WITHOUT THE WRITTEN PERMISSION OF SUMMMERMORE PTY LTD		APPROVED RPEQ 6715 05SEP2017		Consulting Engineers ACN: 108 898 433 ABN: 42 108 898 433 ron@summermore.com.au www.summermore.com.au		Austratus		Austratus System	
- CLIENT APPROVED DRAWINGS						DO NOT SCALE FROM THESE DRAWINGS.		REVIEWED		DESIGNED RAB SEP2017		150 Toongarra Rd, Ipswich QLD, 4305		Assembly Diagram	
REV DESCRIPTION				BY DATE DRAWING NAME		TITLE		DRAWN KJP SEP2017		SCALE AS SHOWN		PO Box 1671 Browns Plains BC, QLD, 4118 Phone: 07 3800 0973 Fax: 07 3800 1860		DRAWING NUMBER	
								ORIGINAL DRAWING SIZE at A3				17-13783-S03		REV -	